

DRINKS | Drink Cabinets

DRINK COOLER ▶ DC LINE ▶ HINGED DOORS



GENERAL FEATURES

- 1000 Lt. Upright drink cooler
- Black coated steel for external and white internally
- Ventilated Cooling
- Automatic compressor cycle defrost
- Foaming Agent Cyclopentane (45mm per side)
- Digital Thermostat
- Self Closing Door
- Removable Gasket
- Adjustable shelves: 8 Pcs
- Independent switches for internal light and canopy
- Toughened safety tempered glass
- Lock fitted as standard
- Inner vertical LED light / LED for canopy
- N.4 Wheels for easy positioning
- Energy efficiency class: C

TECHNICAL SPECIFICATIONS

Capacity	1000 L
Temperature	K2 (-1°C-+6°C)
Consumption	3.019 kWh/24h
Rated Power	500 W
Noise level	64 dB(A)
Net Weight	170 Kg
Gross Weight	199 Kg
External Dimensions (WxDxH mm)	1200x730x2035
Internal Dimensions (WxDxH mm)	1110x595x1525
Packaging dimensions (WxDxH mm)	1255x770x2136
Loading quantities 20'/40'/40"HQ	13/27/27

CERTIFICATION

CE  RoHS



DC 1000HB

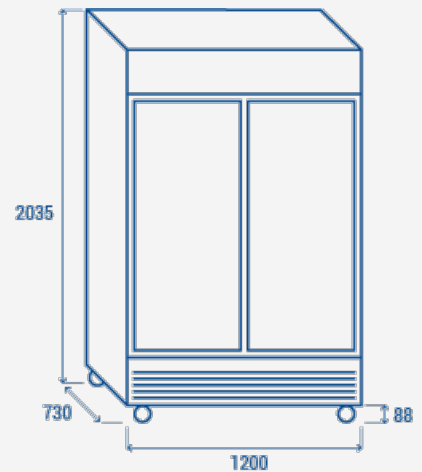
CUSTOMIZATION AVAILABLE
PERSONALIZZAZIONE DISPONIBILE

45 mm	K2 -1°C +6°C	ENERGY CLASS C	CC3 +40°C 75RH
LED			GAS R290

DETAILS

Independent light switches for inner light and canopy	Digital Thermostat	Inner vertical LED light
Lock fitted as standard		

PRODUCT DIMENSIONS



RIGHTWAY ASIA
We make the world a cooler place